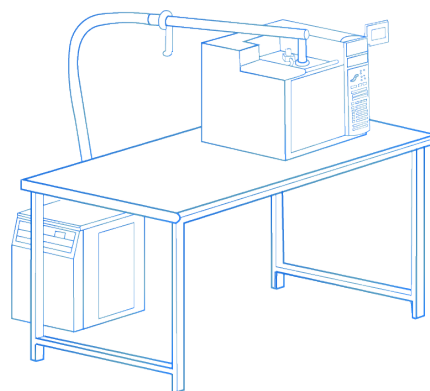


ZX2 Thermal Modulator

For Agilent GC's



FEATURES

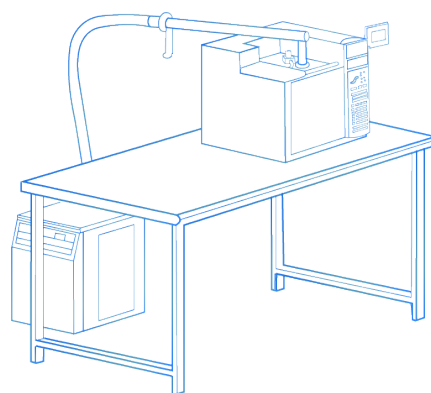
- Consists of the following modules:
 - Floor Chiller (no cryogenic consumables)
 - Programmable Logic Controller (PLC)
 - Human-Machine Interface (HMI)
 - Valve Assembly
 - Top Plate Assembly
 - Vacuum Insulated Transfer Line
 - Head Clamp Assembly
 - All cables, hoses, and assembly tools are supplied.
 - Modulates nC9-nC30 routinely, and nC8 – nC45 with cold jet flow control*
- Accommodates Two Parallel Column Sets (“two modulators for the price of one”).
 - Compatible with most commercially available GC systems.
 - No moving parts. High reliability.
 - Open in-oven construction. No modulation chamber.
 - Effortless Modulator Tube Mounting.
 - May be supplied turnkey with GC or retrofitted onto user's GC.
 - Users can self-install the system in as little as 2 hours.

* Contact Zoex for more information.

Notice: Due to COVID-19 restrictions, user must install system in house. Installation requires approximately 1-2 hours. Detailed installation videos and phone support provided.

ZX2 Thermal Modulator

For Agilent GC's



SPECIFICATIONS

GENERAL

| | |
|---|-------------------------|
| Two-stage loop modulation; one cold jet and one hot jet | - |
| No moving parts | - |
| Hot Jet Temperature | Up to 450 °C |
| Cold Jet Temperature | As low as -90 °C |

| | |
|---|---|
| Hot Jet Pulse Duration | Set range: 0 to 32 secs 375 ms typical |
| Modulation Period | Set range: 0 to 32 secs Recommended: 3 to 32 secs Note: Modulation Period should be greater than the Hot Jet Pulse Duration |
| Jet Gas Consumption (Dry N ₂) | 25 SLM per jet max 10 to 15 SLM typical |

CRYOGENIC COOLING SYSTEM

| | |
|--|--|
| Continuous cooling without liquid nitrogen | - |
| Lowest cooling temperature | -90 °C (Measured 5 cm inside Cold Jet Nozzle) |
| SS vacuum insulated cryo transfer line | - |

| | |
|--------------------------|---|
| Floor Chiller Electrical | 120 V/60 Hz/11.5 A or 240 V/50 Hz/7.5 A |
| Floor Chiller Dimensions | 22" h x 15" w x 20.25" d (559 mm h x 381 mm w x 514 mm d) |
| Floor Chiller Weight | 170 lbs / 77 kg |