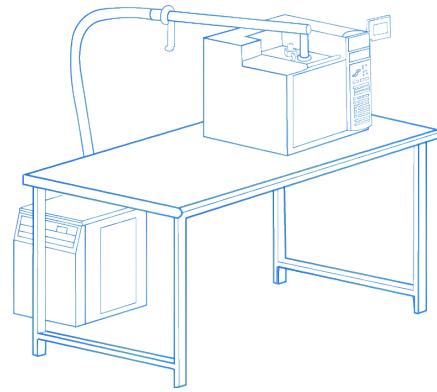


# ZX2 Thermal Modulator

For Agilent GC's



## FEATURES

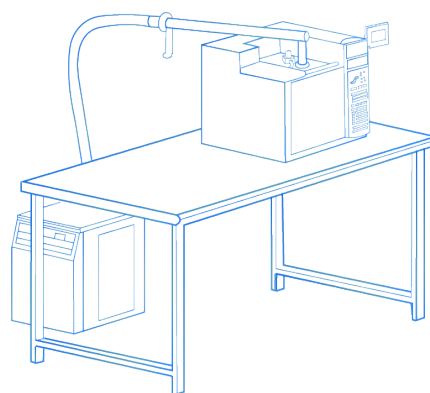
- Consists of the following modules:
    - Floor Chiller (no cryogenic consumables)
    - Programmable Logic Controller (PLC)
    - Human-Machine Interface (HMI)
    - Valve Assembly
    - Top Plate Assembly
    - Vacuum Insulated Transfer Line
    - Head Clamp Assembly
  - All cables, hoses, and assembly tools are supplied.
  - Modulates nC9-nC30 routinely, and nC8 – nC45 with cold jet flow control\*
- Accommodates Two Parallel Column Sets (“two modulators for the price of one”).
  - Compatible with most commercially available GC systems.
  - No moving parts. High reliability.
  - Open in-oven construction. No modulation chamber.
  - Effortless Modulator Tube Mounting.
  - May be supplied turnkey with GC or retrofitted onto user's GC.
  - Users can self-install the system in as little as 2 hours.

\* Contact Zoex for more information.

**Notice:** Due to COVID-19 restrictions, user must install system in house. Installation requires approximately 1-2 hours. Detailed installation videos and phone support provided.

# ZX2 Thermal Modulator

For Agilent GC's



## SPECIFICATIONS

### GENERAL

Two-stage loop modulation; one cold jet and one hot jet	-
No moving parts	-
Hot Jet Temperature	<b>Up to 450 °C</b>
Cold Jet Temperature	<b>As low as -90 °C</b>

Hot Jet Pulse Duration	<b>Set range: 0 to 32 secs</b> 375 ms typical
Modulation Period	<b>Set range: 0 to 32 secs</b> <b>Recommended: 3 to 32 secs</b> Note: Modulation Period should be greater than the Hot Jet Pulse Duration
Jet Gas Consumption (Dry N2 or air)	<b>25 SLM per jet max</b> 10 to 15 SLM typical

### CRYOGENIC COOLING SYSTEM

Continuous cooling without liquid nitrogen	-
Lowest cooling temperature	<b>-90 °C</b> (Measured 5 cm inside Cold Jet Nozzle)
SS vacuum insulated cryo transfer line	-

Floor Chiller Electrical	<b>120 V/60 Hz/11.5 A or</b> <b>240 V/50 Hz/7.5 A</b>
Floor Chiller Dimensions	<b>22" h x 15" w x 20.25" d</b> (559 mm h x 381 mm w x 514 mm d)
Floor Chiller Weight	<b>170 lbs / 77 kg</b>