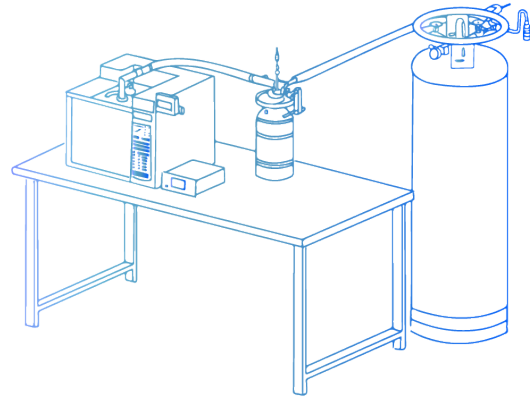


ZX1 Thermal Modulator

For Agilent GC's



FEATURES

- Consists of the following modules:
 - Floor Dewar*
 - Bench Dewar
 - Liquid Nitrogen Level Controller
 - Programmable Logic Controller (PLC)
 - Human-Machine Interface (HMI)
 - Valve Assembly
 - Top Plate Assembly
 - Vacuum Insulated Transfer Line
 - Head Clamp Assembly
- All cables, hoses, and assembly tools are supplied.
- Modulates nC6 – nC30 routinely, and up to nC45 with cold jet flow control. **
- Accommodates Two Parallel Column Sets (“two modulators for the price of one”).
- Compatible with most commercially available GC systems.
- No moving parts. High reliability.
- Open in-oven construction. No modulation chamber.
- Effortless Modulator Tube Mounting.
- May be supplied turnkey with GC, or retrofitted onto user’s GC.
- Users can self-install the system in as little as 2 hours.

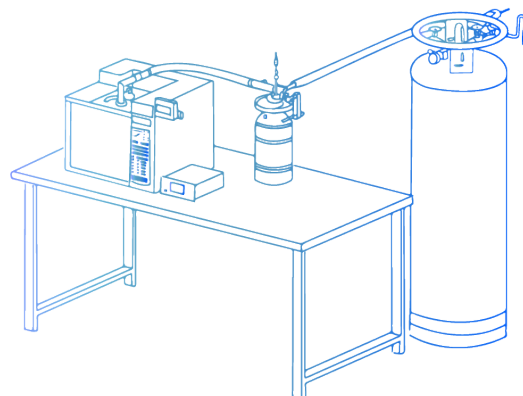
* User-supplied.

** Contact Zoex for more information.

Notice: Due to COVID-19 restrictions, user must install system in house. Installation requires approximately 1-2 hours. Detailed installation videos and phone support provided.

ZX1 Thermal Modulator

For Agilent GC's



SPECIFICATIONS

GENERAL

Two-stage loop modulation; one cold jet and one hot jet	-
No moving parts	-
Hot Jet Temperature	Up to 450 °C
Cold Jet Temperature	As low as -189 °C

Hot Jet Pulse Duration	Set range: 0 to 32 secs 375 ms typical
Modulation Period	Set range: 0 to 32 secs Recommended: 3 to 32 secs Note: Modulation Period should be greater than the Hot Jet Pulse Duration
Jet Gas Consumption (Dry N2 or Air)	25 SLM per jet max 10 to 15 SLM typical

CRYOGENIC COOLING SYSTEM

Liquid nitrogen heat exchange bath	-
Lowest cooling temperature	-189 °C (Measured 5 cm inside Cold Jet Nozzle)
Flexible Vacuum Insulated Transfer Line	36" (914 mm). Custom lengths available.
Bench Top Heat Exchange Dewar	5 Liter, 24" h (610 mm)

AUTOMATIC LIQUID NITROGEN LEVEL CONTROLLER

Display	4.3" 24-bit color TFT display, 480 x 272 pixels Resistive touch screen
Dimensions	3.8" h x 8.4" w x 11.4" d (97 mm h x 213 mm w x 279 mm d)
Weight	3.3 lbs / 1.5 kg
Electrical	100-240 ± 10% VAC, 50- 60 Hz, 2.2 A Max